

Instruction Manual

Low Profile Lift Tables



Note: Owner/Operator must read and understand this instruction manual before using the low profile lift table.

THANK YOU FOR SELECTING THIS PRODUCT. THIS INSTRUCTION MANUAL DESCRIBES THE CORRECT OPERATING PROCEDURE TO ENSURE PROLONGED SERVICE. PLEASE READ AND ENSURE THAT YOU UNDERSTAND THIS MANUAL BEFORE OPERATING THE LOW PROFILE LIFT TABLE. ALWAYS KEEP THIS MANUAL AT AN APPROPRIATE PLACE. IF THE MANUAL OR WARNING DECAL IS MISSING, PLEASE CONTACT MANUAL HANDLING SOLUTIONS .

Note: This Manual has been prepared for skilled and competent personnel. It provides instructions for using the product correctly. This Manual cannot replace the professional skills and expertise of the user.

1.



WARNING! *If operating the lift table improperly, a person may be seriously injured. Therefore, operate in accordance with the following instructions*

- ◇ Read & thoroughly understand the Instruction Manual completely before using. Follow all safety instructions.
- ◇ Check all safety devices before operation.
- ◇ Ensure that there are no obstacles in the working area.
- ◇ Do not put feet or hands in the scissor arm mechanism or between the frame.
- ◇ Screw the lifting eyes on the base frame before carrying out maintenance work on the lift table.
- ◇ Do not overload the lift table. Loads should be distributed on the table according to relevant load distribution chart.
- ◇ Ensure that your local voltage and frequency is as same as the input specification of the lift table.
- ◇ Do not use on ramps, hills or slopes
- ◇ All the electrical connection and disconnection operations must be carried out by skilled and competent personal.
- ◇ When in use, the operator should ensure that they do not come in to contact with any moving parts.
- ◇ While the lift table moving, do not try to adjust or move the load.

- ◇ Do not operate the lift table if anyone is working under the table.
- ◇ Do not adjust the safety valve on the hydraulic power pack.
- ◇ If any distortion to the structure of the table is noted, do not use.
- ◇ Do not use in an explosive or flammable place.

2.



CAUTION! *If the table is not operated correctly, someone may be injured. Therefore, operate properly in accordance with the following instructions.*

- ◇ The lift table is a movable lift designed to lift or lower the rated load. Do not use it for other purpose.
- ◇ Do not allow a person to operate the lift table, who does not understand its operation.
- ◇ It is forbidden to make any modifications to the lift table without the manufacturer's written admission.
- ◇ It is necessary to use the spare parts designated by manufacturer.
- ◇ Ensure that the distance between the table and ambient objects is enough to allow the lift table to be operated safely.
- ◇ Keep the hydraulic system in a clean and safe condition.
- ◇ The hydraulic power pack features an electric lowering control. The coils must be fed with the required voltage as described on those coils. The power supply voltage should not exceed $\pm 10\%$ of the rated required voltage.
- ◇ Always carry out maintenance and routine checks when the lift table is unloaded.
- ◇ The lift table is not waterproof and should be used in a dry environment.

3.DAILY INSPECTION

Daily inspections should be carried out to check for any malfunction or fault on the lift table. Before operation, check the lift table according to the following points.



CAUTION! Do not use the lift table if any malfunction or fault is found.

- ◇ Check all the terms of WARNING and CAUTION.
- ◇ Check for any bending or cracks to the structure of the lift table.
- ◇ Check for smooth movement of the table.
- ◇ Check if there is any hydraulic oil leakage from the cylinder.
- ◇ Check the vertical creep of the table.
- ◇ Check if all the bolts and nuts are firmly tightened.

4.OPERATING THE LIFT TABLE

■ LOADING

The maximum capacity of the lift table is 1000kg. The load should be distributed evenly across the table top.

■ LIFTING THE TABLE



CAUTION! Do not overload the lift table.
Ensure that the load is evenly distributed over the table top

- ◇ Screw and release emergency stop switch.
- ◇ Push the UP button and the power pack starts to work to lift the load.
- ◇ Release the UP button and the power pack stops working.

■ LOWERING THE TABLE



WARNING! Do not put feet or hands in the scissor arm mechanism.

- ◇ Push the DOWN button and the table will lower.
- ◇ Release the DOWN button and the table will stop.

NOTE

- ◇ The table is equipped with an aluminum guard (safety cut-off bar) which stops the motor if it meets an obstruction during use.

◇ If aluminum guard strikes an object while the table is lowering, stop operation and check the lift table. To operate the table again, press the UP button slightly and then the electric system will function as before.

■ EMERGENCY STOP

There are two methods of emergency stop as follows.

◇ Push down the emergency stop switch and the movement of table stops.

◇ Strike aluminum guard upward and the movement of table also stops.

■ TRANSPORTATION

If necessary, the lift table can be transported with attached ringbolts. The positions of ringbolts are shown on the relevant decal.

◇ Pay attention to the maximum capacity of lifting equipment to be used.

6.HYDRAULIC CIRCUIT & ELECTRIC PRINCIPLE DIAGRAM

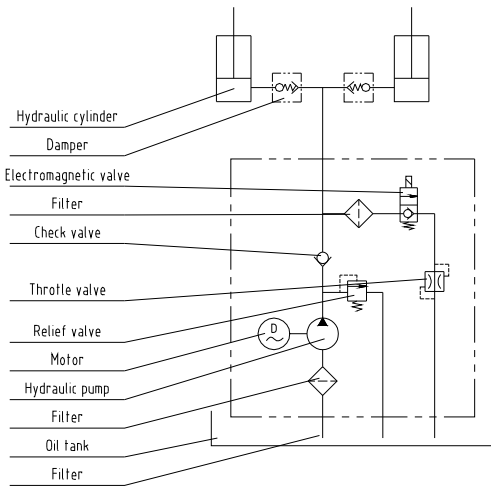
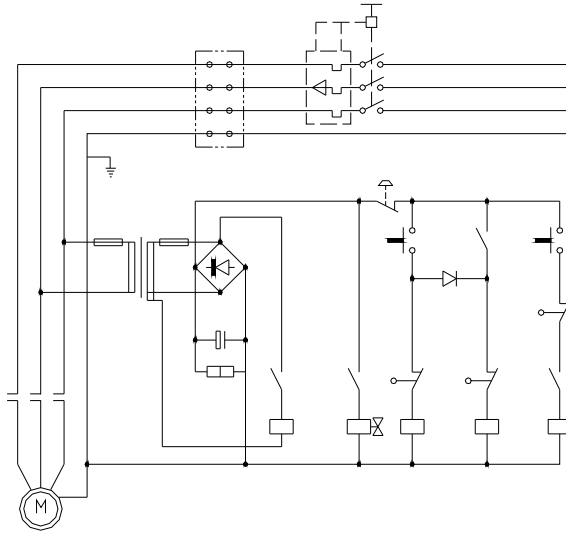


Fig. 1 Hydraulic circuit

Fig. 2 Electric Principle Diagram



7.SERVICE INSTRUCTIONS

- Carry out routine checks of fasteners, seals and any visible sign of oil leaking.
- Carry out routine checks that the lift table functions correctly.
- Before service the lift table, make sure to turn off the AC power supply.
- After servicing, it is necessary to check that the table operates correctly.
- ONLY a qualified personnel should carry out any service work.
- Carry out routine checks of the micro-switches on the safety guard.
- Listen to the sound of the motor for unusual sounds.
- Clean or replace the oil filter as necessary.
- Appropriate lubrication is necessary to ensure that the lift table works smoothly to prolong service life.
- We recommend that the following schedule is used as a guide to service intervals.

	After every 500 hours' working or every 3 months	After every 2000 hours' working or every year
Check oil level of oil tank	☆	
Check the cleanliness of oil filter	☆	
Check all connecting parts tightly fastened	☆	
Check wear and tear of hydraulic hoses	☆	
Check hydraulic cylinder	☆	
Check for signs of any abnormal wear & tear	☆	
Check the function of micro-switches	☆	
Check whole working state of the lift table	☆	
Lubricate all the joints and pivot points	☆	
Check wear and tear of all axle bushes		☆
Replace hydraulic oil		☆
Check for signs of oil leaks		☆

8.TROUBLESHOOTING

Note: Before carrying out any service work, it is necessary to screw the two eyebolts into the relevant screw-holes on the base to ensure that the table cannot accidentally lower.

Trouble	Cause	Remedy
Table does not lift but motor works normally	<ul style="list-style-type: none"> ◇ Eyebolt has not been removed ◇ AC voltage phases error ◇ Faulty electromagnetic ◇ The table is overloaded 	<ul style="list-style-type: none"> ◇ Remove eyebolt ◇ Correct AC voltage phase ◇ Check the function of electromagnetic valve and repair it ◇ Remove excessive load
Table does not lift and motor does not work	<ul style="list-style-type: none"> ◇ Lowering limit switch damaged 	<ul style="list-style-type: none"> ◇ Replace limit switch
Table does not lower	<ul style="list-style-type: none"> ◇ Lowering limit switch or micro-switch on safety guard damaged ◇ Electromagnetic valve faulty ◇ Safety guard has been activated ◇ Something wrong with electric circuit board 	<ul style="list-style-type: none"> ◇ Replace lowering limit switch or micro-switch. ◇ Check the function of electromagnetic valve and repair it ◇ Strike the UP button slightly ◇ Replace electric circuit board
Tables legs go over limit position while table lowers	<ul style="list-style-type: none"> ◇ Internal leaking in electromagnetic valve ◇ Seals damaged in hydraulic cylinder 	<ul style="list-style-type: none"> ◇ Repair electromagnetic valve and if necessary replace it ◇ Check and replace seals
Table cannot reach the highest position	<ul style="list-style-type: none"> ◇ Not enough oil ◇ Limit switch damaged 	<ul style="list-style-type: none"> ◇ Fill with oil ◇ Check and repair limit switch. If necessary, replace it